

Drawing



Hendi B.V.
Steenoven 21
3911 TX Rhenen
The Netherlands

Batch #

000000

Appliance part#

425299

Description

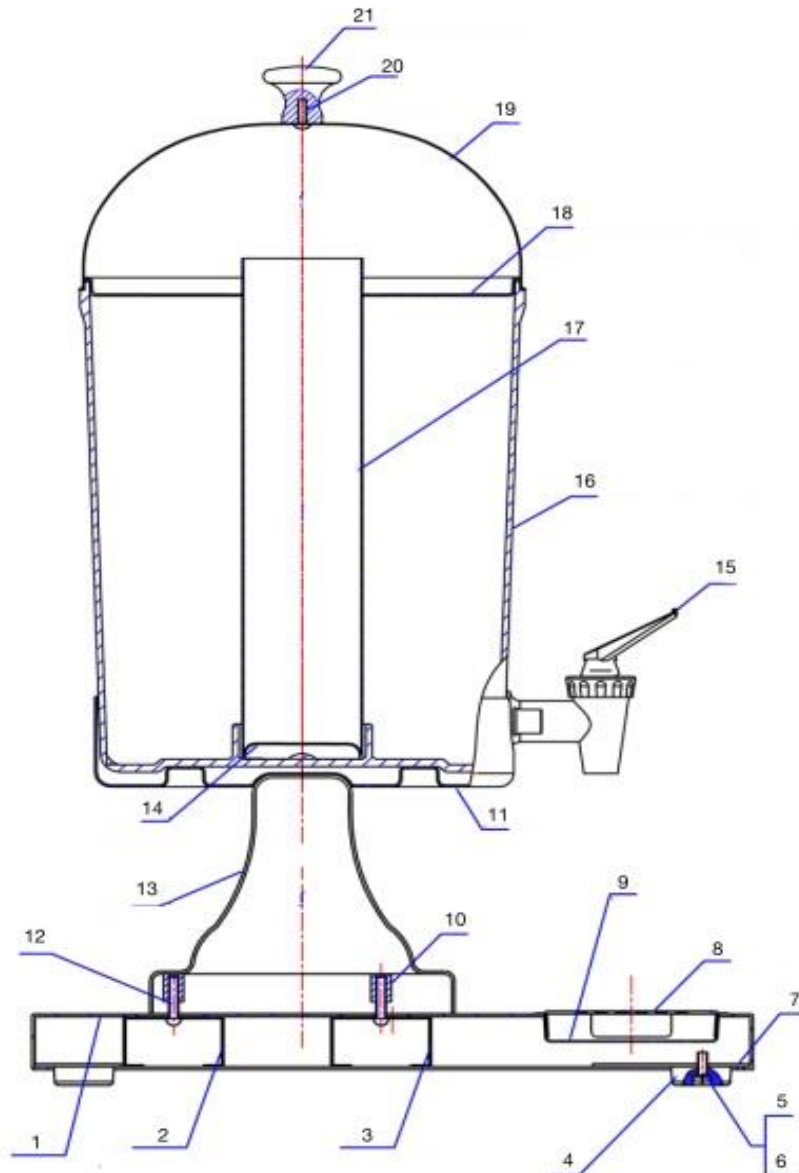
Juice dispenser

Date 09-04-2019


Revision #

1,1

Revision New model with black/chrome faucet and container with handles, introduced from September 2018



Bill of materials (BOM)

 <b style="font-size: 24px; margin-left: 10px;">HENDI <small style="color: green; margin-left: 10px;">Tools for Chefs</small> Hendi B.V. Steenoven 21 3911 TX Rhenen The Netherlands	Batch #	Appliance part#
	000000	425299
	Description	
	Juice dispenser	

Date	09-04-2019	Revision #	1,1
Revision	New model with black/chrome faucet and container with handles, introduced from September 2018		

Item	Description	Part#	Quantity	Remark	Picture
1	Frame base	n/a	1		
2	Bracket	n/a	1		
3	Bracket	n/a	1		
4	Foot	n/a	4		
5	Screw	n/a	4		
6	Washer	n/a	4		
7	Bracket	n/a	4		
8	Drip tray	901649	1		
9	Fixed tray	n/a	2		
10	Nut	n/a	2		
11	Base	n/a	1		
12	Screw	n/a	2		
13	Standard	n/a	1		
15	Faucet (incl gasket)	948118	1	Black/chrome	
16	Container 8L incl handle	948125	1	Incl handle	
17	Ice tube	901632	1		
18	Holder ice tube	901687			
19	Lid including knob	901601	1	Incl item 20 and 21	
20	Screw	nss	1		
21	Knob	nss	1		

n/a -> not available

nss -> not sold separately